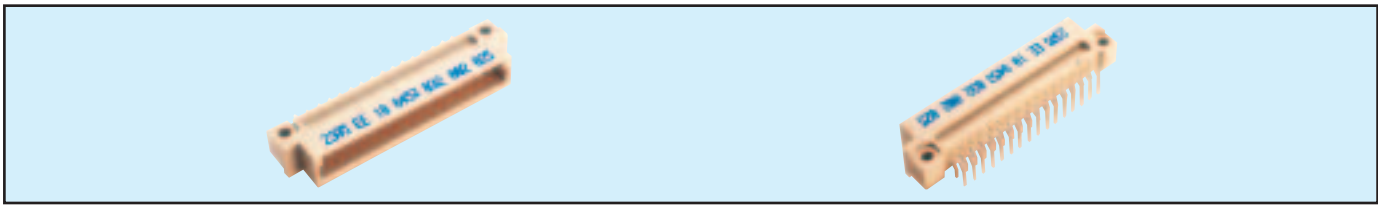


Male Style 1/2 B



Series 8457 – 2 rows (2 x 16)

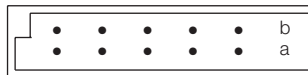


Contact Design and Termination Length	Number of Contacts	Loading Description	Part Number Performance classes according to DIN 41612	
			II	I
3.4 mm (Y) Straight	32	a + b fully loaded	10 8457 032 001 025	10 8457 032 001 049
	16	a + b even loading	10 8457 032 001 031	10 8457 032 001 055
	16	a loading only	10 8457 032 001 027	10 8457 032 001 051
3.0 mm (Y) Right Angled	32	a + b fully loaded	10 8457 032 002 025	10 8457 032 002 049
	16	a + b even loading	10 8457 032 002 031	10 8457 032 002 055
	16	a loading only	10 8457 032 002 027	10 8457 032 002 051
13.0 mm (Y) Straight	30 + 2	fully loaded + ground	10 8457 032 102 025	10 8457 032 102 049
	32	a + b fully loaded	10 8457 032 003 025	10 8457 032 003 049
	16	a + b even loading	10 8457 032 003 031	10 8457 032 003 055
11.3 mm (Y) Right Angled	16	a loading only	10 8457 032 003 027	10 8457 032 003 051
	32	a + b fully loaded	10 8457 032 004 025	10 8457 032 004 049
	16	a + b even loading	10 8457 032 004 031	10 8457 032 004 055
2.3 mm (Y) Right Angled	16	a loading only	10 8457 032 004 027	10 8457 032 004 051
	32	a + b fully loaded	10 8457 032 008 025	10 8457 032 008 049
	16	a + b even loading	10 8457 032 008 031	10 8457 032 008 055
2.3 mm (Y) Right Angled	16	a loading only	10 8457 032 008 027	10 8457 032 008 051
	30 + 2	fully loaded + ground	10 8457 032 108 025	10 8457 032 108 049

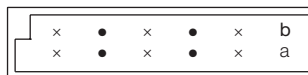
NB: Alternative Prefix Variations Available: 12, 16 & 17, please refer to Page 10.

Additional Plating & Loading Variations: Please contact your local AVX sales office or distributor.

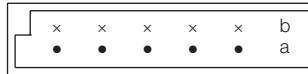
LOADING DESCRIPTION



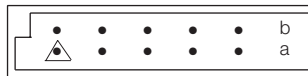
32 contacts, rows a + b fully loaded



16 contacts, rows a + b even loading



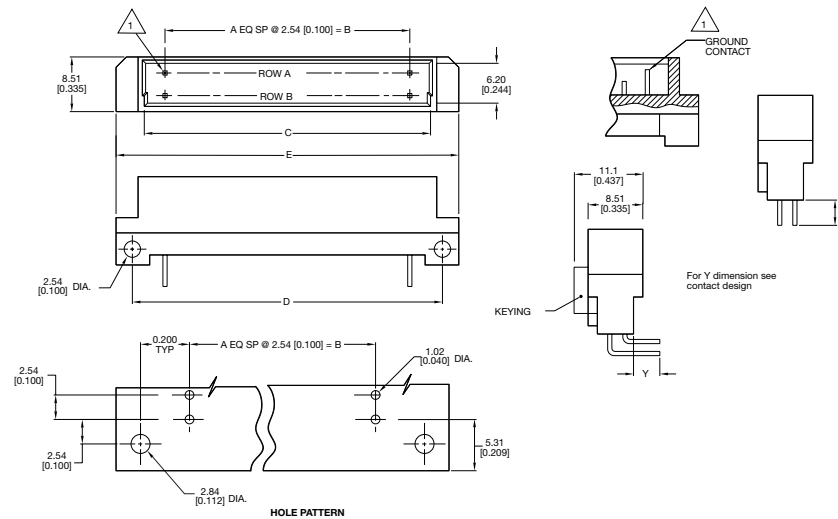
16 contacts, row a loading only



30 + 2 contacts, fully loaded with ground in A1 & A16

△ denotes ground pin

DIMENSIONS



Unit: millimeters (inches)

No. Contact Positions	Contact Rows	A	B	C	D	E
32	2 (2 x 16)	15	38.10 (1.500)	44.55 (1.754)	48.26 (1.900)	53.34 (2.100)